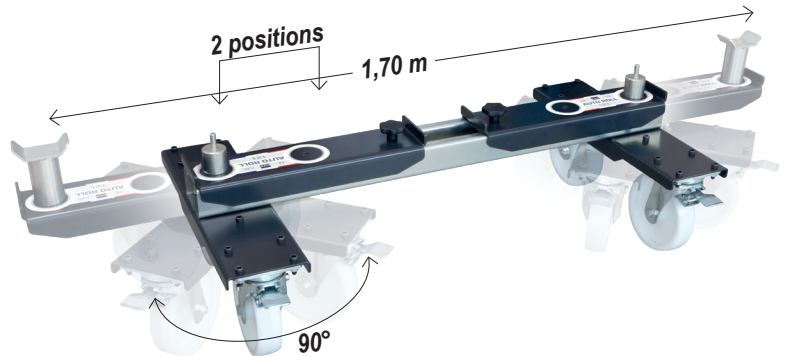


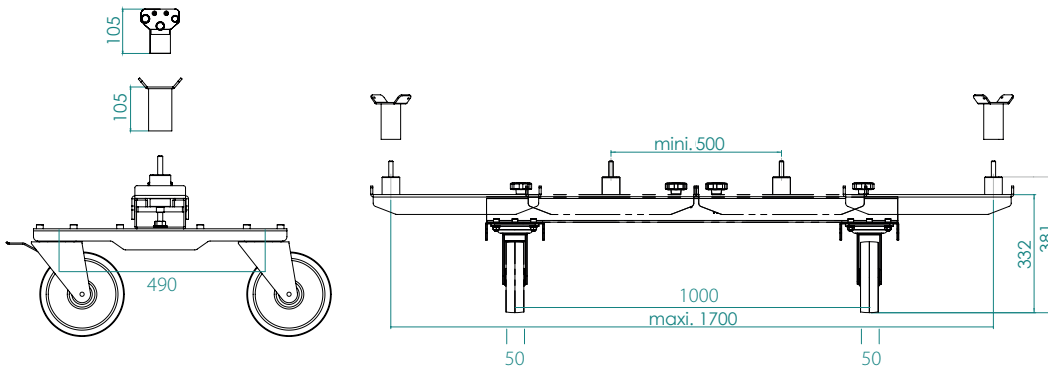
Designed to aid the manoeuvrability of vehicles in both Mechanical and Accident Repair Centers with either mechanics in or out. The adjustable arms are designed to fit all types of vehicles.

## FEATURES

- **Mobile and secure :**
  - 90° rotation of wheel supports
  - Easy positioning
  - 2 wheels fitted with brakes
- **Adjustable and adaptable :**
  - Lifting rails adjustable to a maximum of 1.70m.
  - Stabilisation pads (included)
  - Lower frame clamps (optional)
- **Robust structure :**
  - Mechanically reinforced
  - Weight max : 1 200 kg



## DIMENSIONS



## DIFFERENT ACCESSORIES FOR DIFFERENT TYPES OF CAR BODIES :



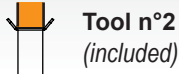
**Fix support**  
(included)



**Tool n°1**  
(included)



**Stabilisation pads x2**  
Ref. 059054 (included)



**Tool n°2**  
(included)

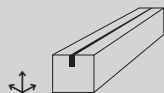


**Lower frame clamps x2\***  
Ref. 059061 (en option)



**Tool n°3**  
(option)

**\*Recommendation :**  
Using the frame clamps with AUTOROLL 1.2T is highly recommended when moving long vehicles over uneven ground.



1170 x 280 x 260 mm



56 kg



1200 kg max



360 °